

## ⚠ WARNING

DO NOT FIELD STRIP OR OTHERWISE DISASSEMBLE THIS MARKER WHILE IT IS PRESSURIZED WITH AIR. DISASSEMBLING THE RECEIVER WHILE UNDER AIR PRESSURE WILL CAUSE PERSONAL INJURY &/OR DAMAGE TO THE MARKER. REMOVE AIR SUPPLY CYLINDER OR CARTRIDGE BEFORE DOING ANY DISASSEMBLY. DO NOT OPERATE THIS MARKER WITH PARTS MISSING OR DAMAGED. IF DURING THE COURSE OF THIS INSTALLATION, A PART IS LOST OR FOUND TO BE DAMAGED, OBTAIN A REPLACEMENT PART BEFORE CONTINUING REASSEMBLY. EYE PROTECTION DESIGNED FOR PAINTBALL USE MUST BE WORN AT ALL TIMES WHEN HANDLING THIS MARKER BY THE USER AND ANY PERSON WITHIN RANGE.

**READ EACH STEP COMPLETELY BEFORE PERFORMING STEP**

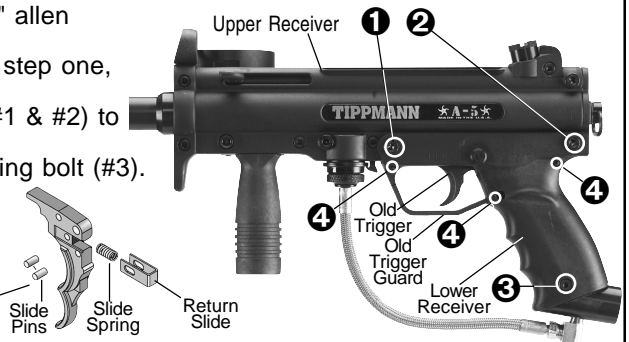
### STEP 1: Prepare Marker for SAFE DISASSEMBLY before beginning disassembly.

To do so, you must: (1-unload your marker; (2-remove air source; (3-discharge stored air (4-uncock marker before further disassembly.

- 1) **Unload your marker:** first remove the hopper. Then, point your marker in a safe direction and fire several times to be sure there are no balls left in the feeder or lodged in the chamber.
- 2) **Remove tank:** To remove a charged air cylinder, turn the cylinder approximately 3/4 of a turn counterclockwise or out. This allows the tank pin valve to close so that no air will enter the marker. Point the marker in a safe direction and fire the remaining air in the marker by pulling the trigger until the marker stops firing. (This may take 4-5 shots)
  - If your marker keeps firing after you have turned the tank 3/4 of a turn, the tank pin valve has not closed yet and you may have to turn the tank counterclockwise a little further.
  - If you turn the tank 3/4 of a turn and it begins to leak before you pull the trigger you have turned it too far and may have damaged the tank o-ring.
- 3) **After air tank is removed, point & fire the marker in a safe direction until stored air is completely discharged.**
- 4) **Put marker in the uncocked position:** hold the bolt cocking handle back - then pull the trigger and release handle forward to un-cock the marker.

### STEP 2: Prepare Marker for Double Trigger & Trigger Guard installation

- Set up a table with plenty of space to work. You will need the 1/8 " allen wrench included with your marker and a phillips head screw driver.
- With Air Source removed & marker in the uncocked position as per step one, remove Lower Receiver from upper receiver.
- 1) To detach lower receiver: Remove 2 lower receiver push pins (#1 & #2) to detach from upper receiver.
- 2) Remove Gas Line Tank Adapter from Lower Receiver by removing bolt (#3).
- Prepare Lower Receiver for Double Trigger / Guard installation.
- 3) Remove trigger assembly from lower receiver: push Safety out left side of lower receiver, then lift trigger assembly up and out .
- 4) Remove 3 grip screws (#4) and pull halves apart. Remove old trigger guard.

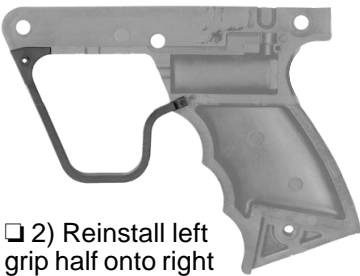


NOTE: If installing in A-5™ with E-GRIP, you must remove: the double trigger Return Slide; the Slide Spring, and the 2 Return Slide Pins before installing in STEP 3.

TIME SAVER: *It is Not necessary* to remove any other parts to install the new double trigger and trigger guard.

### STEP 3: Install Double Trigger Guard

- 1) Insert new Double Trigger Guard into slots in right grip half.

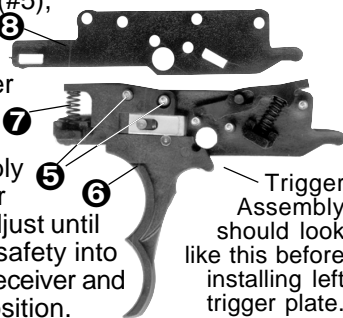


- 2) Reinstall left grip half onto right half so it fits flush and insert 3 screws (#3).
- 3) Reinstall tank adapter into grip and insert bolt (#4). Tighten 3 screws (#3) and bolt (4).

### STEP 4: Install New Trigger and reassemble Lower Receiver.

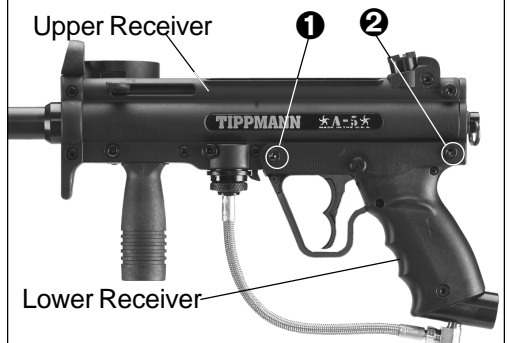
Remove old trigger from trigger assembly and install new double trigger.

- 1) Pull left trigger plate (#8) off of trigger assembly and lift Trigger off of two dowel pins (#5).
- 2) Install new Double Trigger (#6) onto two dowel pins (#5), insert trigger spring (#7) and install left trigger plate (#8).
- 3) Insert Trigger Assembly into top of lower receiver and adjust until you can insert safety into the left side of receiver and push to safe position.



### STEP 5: Reattach Lower Receiver to Upper Receiver

- 1) Align Lower Receiver Push Pin Hole (#1) to upper receiver hole then slide into position so Push Pin (#2) can be inserted.



Insert 2 push pins (#1 and #2) to complete installation.