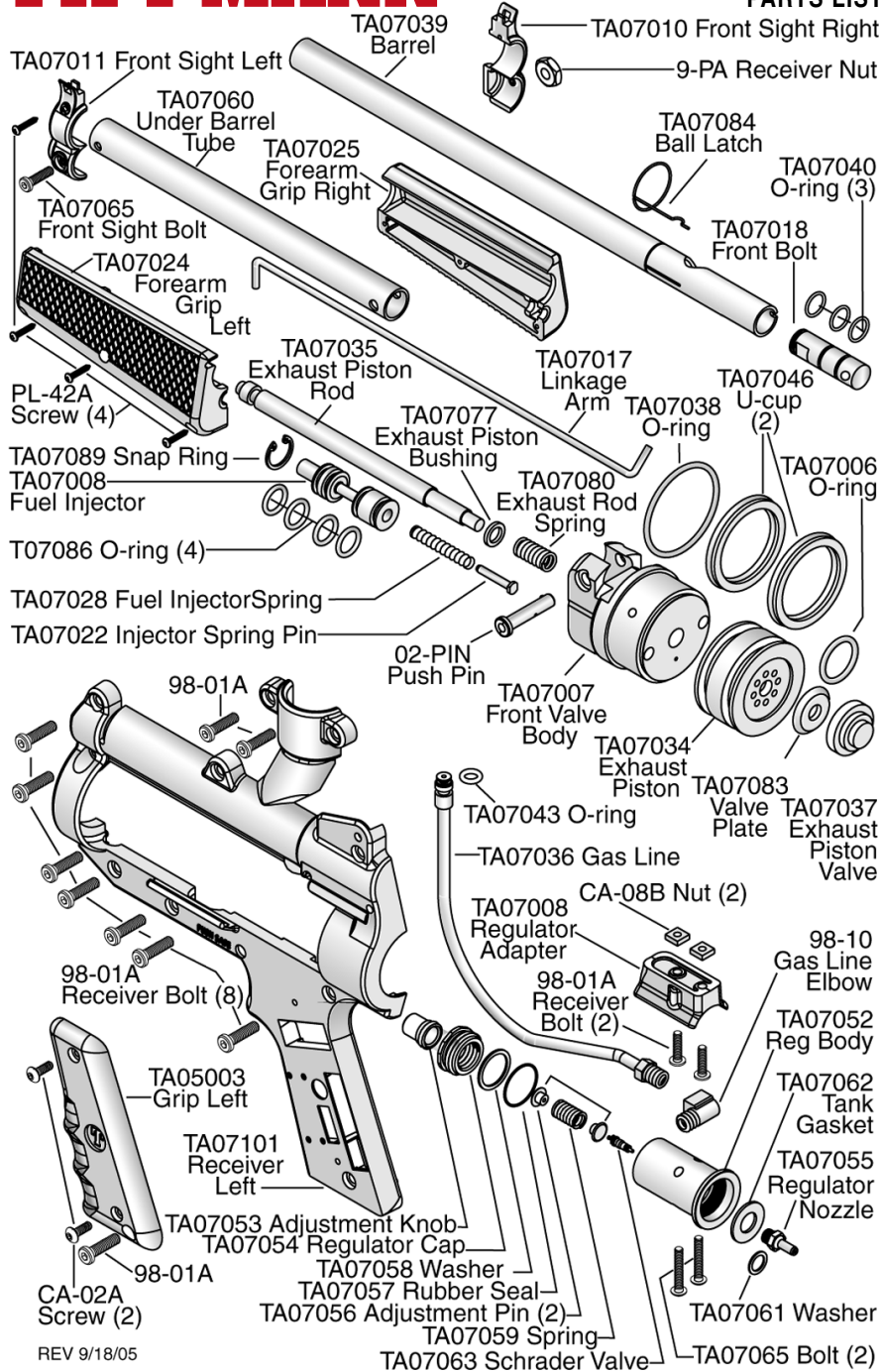


# TIPPMANN®

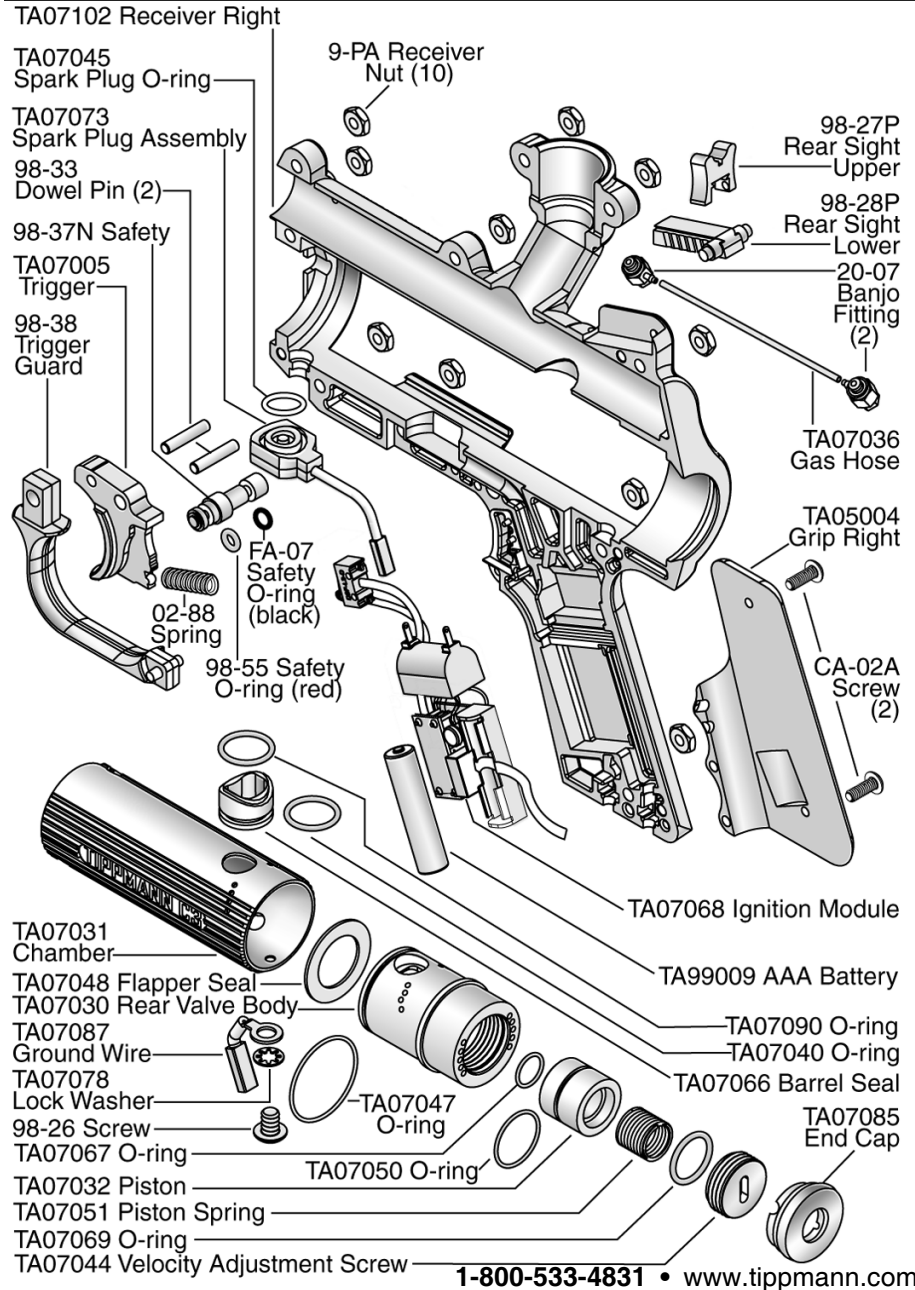
## G3™ PARTS LIST



REV 9/18/05

WARNING

**DO NOT DISASSEMBLE THIS MARKER WHILE IT IS PRESSURIZED WITH PROPANE. DO NOT PRESSURIZE A PARTIALLY ASSEMBLED MARKER.**



1-800-533-4831 • www.tippmann.com